



Order Pickers

N20 C B | N20 – N25 C | N25 C HP

Capacity 2.0 t – 2.5 t | Series 4587

Versatile order picker

- Optimised design for clear all-round visibility
- Intuitive steering wheel for high manoeuvrability in confined spaces
- High top speed for fast load transfers
- Automatic speed reduction in curves for maximum safety
- Spring loaded operator's platform protects against physical strain



STANDARD AND OPTIONAL EQUIPMENT

Manufacturer's type designation/equipment		N20 C B	N20 C	N25 C	N25 C HP
Safety	Anti-slip strips at sides of platform	●	●	●	●
	Rubber platform mat	●	●	●	●
	Front chassis protection	○	○	○	○
	Linde BlueSpot - visual warning of truck presence	○	○	○	○
	Front-facing LED lights	—	○	○	○
	Automatic speed reduction in curves	●	●	●	●
	Cushioned knee protection	○	○	○	○
	Rear foot protection	○	○	○	○
	Key switch	●	●	●	●
	Log in PIN code access	○	○	○	○
Service	CAN bus technology	●	●	●	●
Digitalisation	Linde connect	○	○	○	○
	Linde connect:ac access control - via PIN	○	○	○	○
	Linde connect:ac access control - via RFID	○	○	○	○
	Data transmission Wifi	○	○	○	○
	Data transmission online	○	○	○	○
	Linde connect:dt crash detection - impact damage monitoring	○	○	○	○
	Linde connect:an usage analysis - digital usage analysis	○	○	○	○
	Bluetooth USB stick	○	○	○	○
	Linde connect:dt trouble codes - automated error code transmission from truck	○	○	○	○
Operation/ load handling	Inching control (forward only or forward/backward)	○	○	○	○
	Initial lift control	○	○	○	○
	Proportional speed reduction	—	○	●	●
	Load backrest: 1290 mm or 1875 mm high	○	○	○	○
Environment	Coldstore protection to -35°C (in/out)	○	○	○	○
Workplace	Damped platform	—	○	○	○
	Rising platform	○	○	○	—
	Height adjustable Linde steering wheel	○	○	○	○
	Height adjustable backrest incl. foldable seating support	—	○	○	○
	Basic display	●	—	—	—
	Multifunction colour display: hourmeter, maintenance indication, battery discharge indicator and internal fault code indication	—	●	●	●
	Workstation with integrated DIN A4 clipboard	●	●	●	●
	Front or rear accessory supports	○	○	○	○
	Support for data terminal with 24V power supply cable	○	○	○	○
	Support clipboard DIN A4 and support for scanner	○	○	○	○
	Panoramic rear-view mirror	○	○	○	○
	Flashing beacon and working lamp	○	○	○	○
Attachment/ forks	Fork carriage width: 520 mm, 540 mm, 560 mm, 670 mm	○	○	○	○
	Fork length: from 990 mm to 3100 mm	○	○	○	○
	Overhang: 185 mm, 545 mm, 775 mm, 975 mm	○	○	○	○
Axles and tyres	Drive wheel: heavy duty	●	●	●	●
	Drive wheel: high grip	○	○	○	○
	Single load wheels, polyurethane	●	●	—	—
	Single load wheels, polyurethane greasable	○	○	—	—
	Tandem load wheels, polyurethane greasable	○	○	●	●
	Standard castor wheel	●	●	●	—
	Tandem castor wheel, greasable	○	○	○	—
	Tandem hydraulic castor wheels	—	—	—	●
Drive and brake system	Power-assisted steering	●	●	●	●
	2.3 kW AC motor (maintenance-free)	●	—	—	—
	3 kW AC motor (maintenance-free)	—	●	●	●
	Electromagnetic braking system	●	●	●	●
	Battery compartment, vertical change 3 PzS (300 Ah/375 Ah)	●	●	●	●
	Battery compartment, vertical change 4 PzS (480 Ah/620 Ah)	○	○	○	○
	Battery compartment, side change 3 PzS (300 Ah/375 Ah) and 4 PzS (400 Ah/5000 Ah), incl. ergonomic lever and metal rollers	○	○	○	○
	Battery compartment high, side change 3 PzS (360 Ah/465 Ah) and 4 PzS (4680 Ah/620 Ah), incl. ergonomic lever and metal rollers	○	○	○	○
	Battery compartment, side change 3 PzS and 4 PzS for competitors batteries	○	○	○	○
	Li-ION battery technology - different battery capacities depending on model with laterally or vertically mounted opportunity charging plug	○	○	○	○
Integrated charger for lead-acid and Li-ION batteries	○	○	○	○	

● Standard equipment

○ Optional equipment

— Not available

TECHNICAL DATA (according to VDI 2198)

			Linde MH	Linde MH	Linde MH	Linde MH	
			N20 C B	N20 C	N25 C	N25 C HP	
Characteristics	1.1	Manufacturer (abbreviation)	Linde MH	Linde MH	Linde MH	Linde MH	
	1.2	Manufacturer's type designation	N20 C B	N20 C	N25 C	N25 C HP	
	1.2a	Series	4587-00	4587-00	4587-00	4587-00	
	1.3	Drive	Battery	Battery	Battery	Battery	
	1.4	Operation	Order Picker	Order Picker	Order Picker	Order Picker	
	1.5	Rated capacity/rated load	Q (t)	2.0	2.0	2.5	2.5
	1.6	Load centre distance	c (mm)	1200	1200	1200	1200
	1.8	Load distance, centre of drive axle to fork	x (mm)	1507/1615 ¹²⁾	1507/1615 ¹²⁾	1507/1615 ¹²⁾	1507/1615 ¹²⁾
	1.9	Wheelbase	y (mm)	2612/2720 ¹²⁾³⁾⁴⁾	2609/2717 ¹²⁾³⁾⁴⁾	2609/2717 ¹²⁾³⁾⁴⁾	2612/2720 ¹²⁾³⁾⁴⁾
Weight	2.1	Service weight	kg	1178 ⁵⁾	1178 ⁵⁾	1203 ⁵⁾	1243 ⁵⁾
	2.2	Axle loading, laden front/rear	kg	1120/2058 ⁵⁾	1121/2057 ⁵⁾	1188/2515 ⁵⁾	1223/2520 ⁵⁾
	2.3	Axle loading, unladen front/rear	kg	897/281 ⁵⁾	897/281 ⁵⁾	906/297 ⁵⁾	942/301 ⁵⁾
Wheels and tyres	3.1	Tyres: solid rubber, superelastic, pneumatic, polyurethane		Polyurethane	Polyurethane	Polyurethane	Polyurethane
	3.2	Tyre size, front		Ø 230 × 90	Ø 254 × 102	Ø 254 × 102	Ø 254 × 102
	3.3	Tyre size, rear		Ø 85 × 100	Ø 85 × 100	Ø 85 × 80	Ø 85 × 80
	3.4	Auxiliary wheels (dimensions)		Ø 150 × 50	Ø 150 × 50	Ø 150 × 50	Ø 110 × 60
	3.5	Wheels, number front/rear (X = driven wheels)		1x + 1/2	1x + 1/2	1x + 1/4	1x + 2/4
	3.6	Tread, front	b10 (mm)	478 ¹⁾	474 ¹⁾	474 ¹⁾	547 ¹⁾
	3.7	Tread, rear	b11 (mm)	348 (368/388/498) ¹⁾	348 (368/388/498) ¹⁾	348 (368/388/498) ¹⁾	348 (368/388/498) ¹⁾
Dimensions	4.2b	Twin grip height, lowered	h1 (mm)	1248 ¹⁾	1248 ¹⁾	1248 ¹⁾	1248 ¹⁾
	4.4	Lift	h3 (mm)	130	130	130	130
	4.8	Seat height relating to SIP/stand height	h7 (mm)	130 ¹⁶⁾	130 ¹⁶⁾	130 ¹⁶⁾	130 ¹⁶⁾
	4.9	Height drawbar in driving position min./max.	h14 (mm)	1258 ⁷⁾	1258 ⁷⁾	1258 ⁷⁾	1258 ⁷⁾
	4.14	Stand height, elevated	h12 (mm)	1182/1197 ⁸⁾	1182/1197 ⁸⁾	1182/1197 ⁸⁾	-
	4.15	Height, lowered	h13 (mm)	85 ⁹⁾	85 ⁹⁾	85 ⁹⁾	85 ⁹⁾
	4.19	Overall length	l1 (mm)	3680 ¹³⁾⁴⁾	3680 ¹³⁾⁴⁾	3680 ¹³⁾⁴⁾	3680 ¹⁴⁾
	4.20	Length to fork face	l2 (mm)	1290 ¹³⁾⁴⁾	1290 ¹³⁾⁴⁾	1290 ¹³⁾⁴⁾	1290 ¹⁴⁾
	4.21	Overall width	b1/b2 (mm)	800 ¹⁾	800 ¹⁾	800 ¹⁾	800 ¹⁾
	4.22	Fork dimensions DIN ISO 2331	s/e/l (mm)	61 (78 max) × 172 × 2390 ¹⁾	61 (78 max) × 172 × 2390 ¹⁾	61 (78 max) × 172 × 2390 ¹⁾	61 (78 max) × 172 × 2390 ¹⁾
	4.25	Fork spread	b5 (mm)	520 (540/560/670) ¹⁾	520 (540/560/670) ¹⁾	520 (540/560/670) ¹⁾	520 (540/560/670) ¹⁾
	4.32	Ground clearance, centre of wheelbase	m2 (mm)	24/154 ¹⁰⁾¹¹⁾	24/154 ¹⁰⁾¹¹⁾	24/154 ¹⁰⁾¹¹⁾	24/154 ¹⁰⁾¹¹⁾
	4.33	Load dimension b12 × l6	b12 × l6 (mm)	800 × 2400	800 × 2400	800 × 2400	800 × 2400
4.34	Aisle width predetermined load dimensions	Ast (mm)	3964/3974 ²⁾³⁾¹²⁾¹³⁾	3964/3974 ²⁾³⁾¹²⁾¹³⁾	3964/3974 ²⁾³⁾¹²⁾¹³⁾	3964/3974 ²⁾³⁾¹²⁾¹³⁾	
4.35	Turning radius	Wa (mm)	2786/2893 ²⁾³⁾¹³⁾	2786/2893 ²⁾³⁾¹³⁾	2786/2893 ²⁾³⁾¹³⁾	2786/2893 ²⁾¹³⁾	
Performance	5.1	Travel speed, laden/unladen	km/h	8/10 ¹⁴⁾	9/12 ¹⁴⁾¹⁶⁾	9/12 ¹⁴⁾¹⁶⁾	11/12 ¹⁴⁾¹⁶⁾
	5.1.1	Travel speed, laden/unladen, backwards	km/h	7/10 ¹⁴⁾	8/11 ¹⁴⁾	8/11 ¹⁴⁾	8/11 ¹⁴⁾
	5.2	Lifting speed, laden/unladen	m/s	0.07/0.111 ⁵⁾	0.07/0.111 ⁵⁾	0.064/0.089 ⁵⁾	0.064/0.089 ⁵⁾
	5.3	Lowering speed, laden/unladen	m/s	0.084/0.067 ⁵⁾	0.084/0.067 ⁵⁾	0.068/0.066 ⁵⁾	0.068/0.066 ⁵⁾
	5.8	Max. gradeability, laden/unladen	%	7.0/12.0 ¹⁵⁾	7.0/12.0 ¹⁵⁾	7.0/12.0 ¹⁵⁾	7.0/12.0 ¹⁵⁾
	5.9	Acceleration time, laden/unladen	s	6.5/5.1	6.1/4.8	6.4/4.8	6.2/4.8
	5.10	Service brake		Electromagnetic	Electromagnetic	Electromagnetic	Electromagnetic
Electric-engine	6.1	Drive motor rating S2 60 min	kW	2.3	3	3	3
	6.2	Lift motor rating at S3 15%	kW	2.2	2.2	2.2	2.2
	6.3	Battery according to DIN 43531/35/36 A, B, C, no		no	no	no	no
	6.4	Battery voltage/nominal capacity K 5	(V)/(Ah) o. kWh	24/420/465	24/420/465	24/420/465	24/420/465
	6.5	Battery weight (±5%)	kg	402	402	402	402
	6.6	Energy consumption according to DIN EN 16796	kWh/h	0.57	0.45	0.48	0.48
	6.6.1	CO2 equivalent according to DIN EN 16796	kg/h	0.3	0.2	0.3	0.3
	6.7	Turnover output according to VDI 2198	t/h	116.0	129.0	157.0	160.0
6.8	Turnover efficiency according to VDI 2198	t/kWh	68	68	71	62	
Drive	8.1	Type of drive unit		AC control	AC control	AC control	AC control
Additional data	10.7	Sound pressure level LpAZ (at the operator's seat)	dB(A)	< 70	< 70	< 70	< 70

1) (±5 mm)

2) Forks upraised/lowered

3) With lifting platform +50 mm

4) With tray 4Pz or Li-ION +114 mm

5) (±10%)

6) +15 mm with lifting platform option standard version;

+30 mm with lifting platform option damped version

7) +72 mm with lifting platform option standard version;

+87 mm with lifting platform option damped version;

with tiller adjustment option, h14 setting range =

+89 mm, -19 mm

8) With lifting platform option standard/damped version

9) (-0/+5 mm)

10) Minimum ground clearance under the chassis with

mandatory foot guard = 24 mm

11) min./max.

12) Including a 200 mm (min.) operating aisle clearance.

13) With forks length 2390 mm / x=1507 mm / pull bar

version; For other forks dimensions, please contact

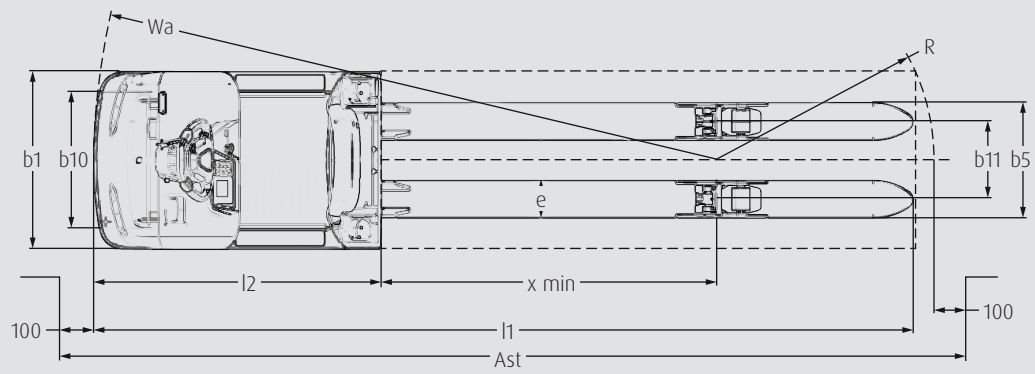
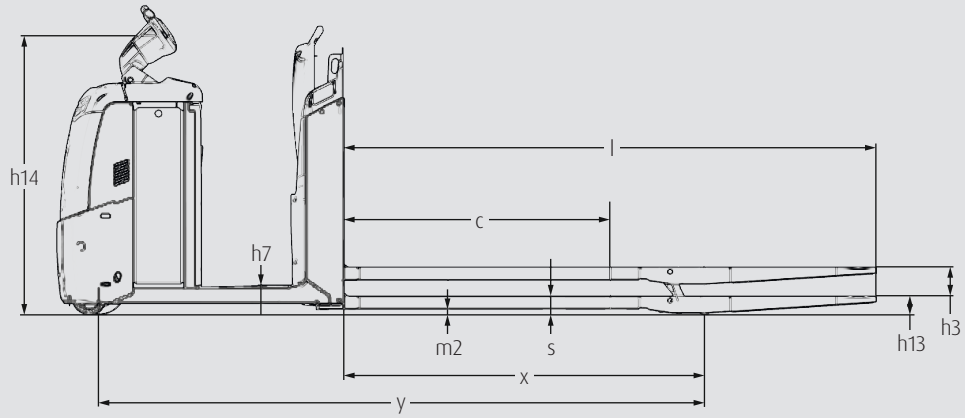
your sales representative.

14) (±5%)

15) On rounded edge slope with forks/arms raised,

if possible

16) Travel speed, without load up to 14 km/h as option



CHARACTERISTICS



Low and rounded chassis

Safety

- Chassis with rounded edges ensures maximum safety in the event of collisions
- Innovative Linde steering wheel with self-centring steering
- Automatic cornering assistant reduces speed in curves to enhance safety
- Separate braking systems ensure safe braking depending on the environment and load
- Numerous safety features such as bumpers, load backrests, front LEDs and Linde BlueSpot available



Spacious workstation

Ergonomics

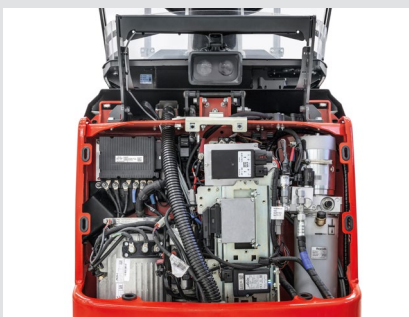
- Low on/off access step reduces physical strain
- U-shaped design facilitates access from both sides
- Height-adjustable Linde steering wheel and adjustable backrest support aids comfortable operation
- Spring-loaded operator's platform absorbs vibrations and shocks
- Non-slip rubber pad ensures the driver has a secure footing



Intuitive Linde steering wheel

Handling

- Powerful 3 kW three-phase AC motor offers top speeds of up to 14 km/h
- Lift controls integrated on the Linde steering wheel enable intuitive operation
- Initial lift facilitates operation over ramps and uneven surfaces
- Rising operator's platform allows picking from first and second level (option)
- Multifunction display provides information on vehicle status
- On-board charger ensures optimum battery charging



Easy access to all components

Service

- Low-maintenance design ensures high vehicle availability
- Self-adjusting brakes increases uptime
- Service intervals are at 1000 operating hours to maximise uptime
- All important vehicle components are easily accessible
- Neatly installed wiring harnesses speed up repairs
- CAN bus connection ensures fast fault finding and repair

Subject to modification in the interest of progress. Illustrations and technical details could include options and are not binding for actual constructions. All dimensions subject to usual tolerances.



ncnielsen

Nørregade 66, DK-7860 Balling | Metalgangen 1, DK-2690 Karlslunde
Tlf.: +45 99 83 83 83 | nc-nielsen.dk | info@nc-nielsen.dk